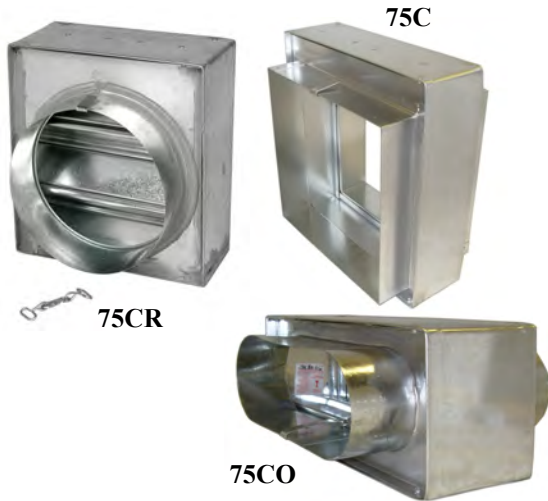


## FIRE DAMPER



**MODELS:**  
**75C (1-1/2 HR rating)**  
**75CR (1-1/2 HR rating)**  
**75CO (1-1/2 HR rating)**

### APPLICATION

The model 75C is a Lloyd industries' fire damper with blades and frames "Out of Air Stream". It is approved for use in walls, floors, and partitions with fire resistance ratings less than 1-1/2 hours. This model carries a 1-1/2 hour UL fire damper label.

### RATING:

**UL CLASSIFIED:**

UL 555 Fire Resistance Rating  
 Fire resistance rated 1-1/2 Hours  
 Partitions rated 2Hours or less

### Standard Construction

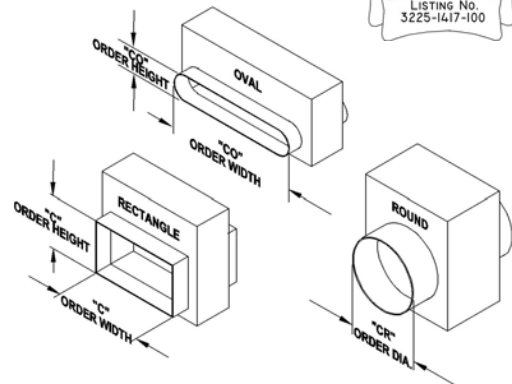
Frame: 22 ga. Galvanized Steel  
 Blade: 22 ga. Galvanized Steel  
 Closure Spring: Stainless Steel  
 Fusible Link: 165°F  
 Mounting: Horizontal or Vertical

Model 75C meets the requirements for fire dampers established by:

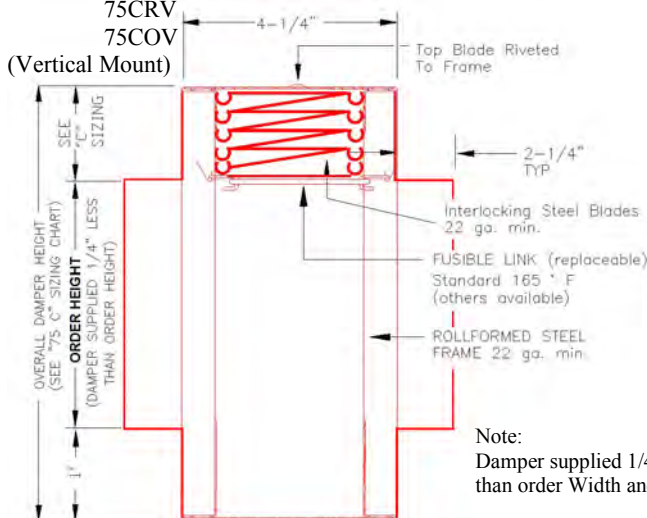
**CSFM California State Fire Marshal**  
**Fire Damper Listing (#3225-1417:102)**



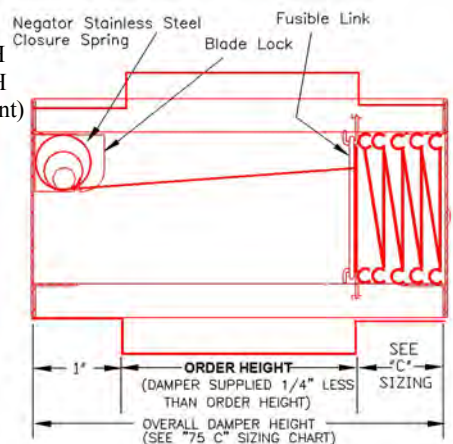
	Single Section			
	Maximum Section (WxH)	Maximum Duct Size (WxH)	Minimum Diameter	Maximum Diameter
Vertical	60"x60"	120"x120"	3"	52"
Horizontal	60"x60"	60"x60"	3"	52"



Model: 75CV  
 75CRV  
 75COV  
 (Vertical Mount)



Model: 75CH  
 75CRH  
 75COH  
 (Horizontal Mount)



  
**WebREPS**  
 1-800-810-3280