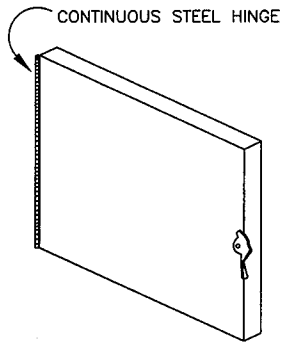


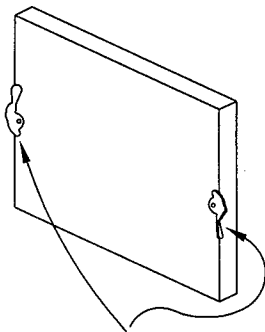
ACCESS DOORS

MODEL 60 HAD AND MODEL 65 CAD ACCESS DOORS
1" THICK HINGED AND 1" THICK DOUBLE CAM LOCK

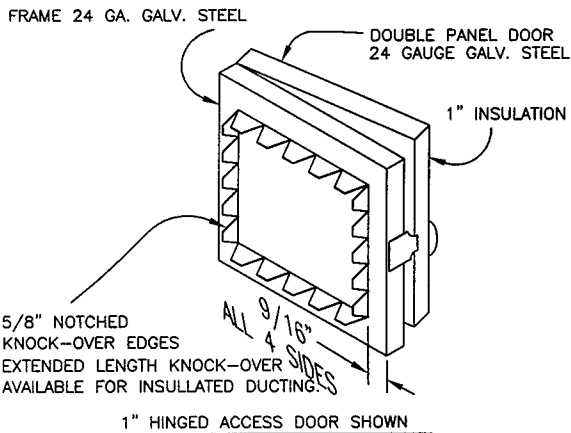
type
60-HAD
65-CAD



MODEL 60 (HAD)
 HINGED 1" ACCESS DOOR WITH INSULATION

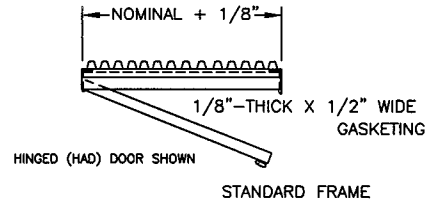
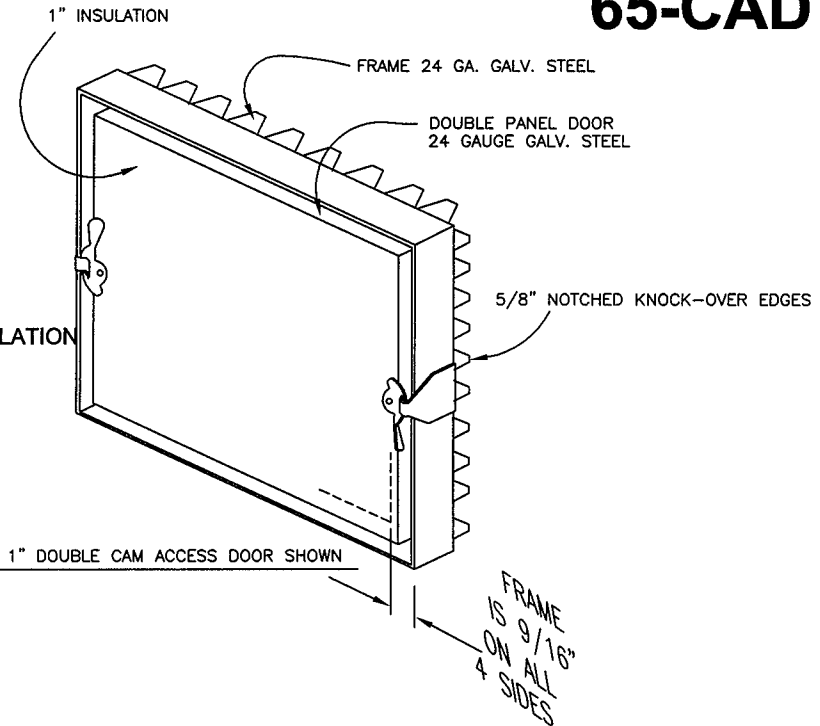


MODEL 65 (CAD)
 DOUBLE CAM 1" ACCESS DOOR WITH INSULATION



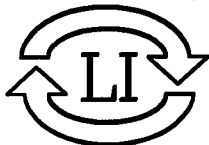
NOTES:

- HINGED DOORS OVER 14" X 14" HAVE (3) CAM LATCHES. DOUBLE CAM DOORS OVER 14" X 14" HAVE (4) CAM LATCHES (ONE ON EACH OF (4) SIDES OF DOOR.
- ALL MODELS INCLUDE 1/8"-THICK X 1/2"-WIDE DOOR - TO - FRAME GASKETING.



JOB NAME:	_____
LOCATION:	_____
ARCHITECT:	_____
ENGINEER:	_____
CONTRACTOR:	_____

10324-REV-A-1



LLOYD INDUSTRIES INC.

231 Commerce Drive
 Montgomeryville, Pa. 18936
 Tel: 215-412-4445
 fax: 215-412-4409
 Email: lloydind@firedamper.com

5858 Broadway Ave.
 Jacksonville, Fl. 32254
 Tel: 904-378-8440
 fax: 904-378-8441
 Email: lloydind1@bellsouth.net

Web Site: firedamper.com