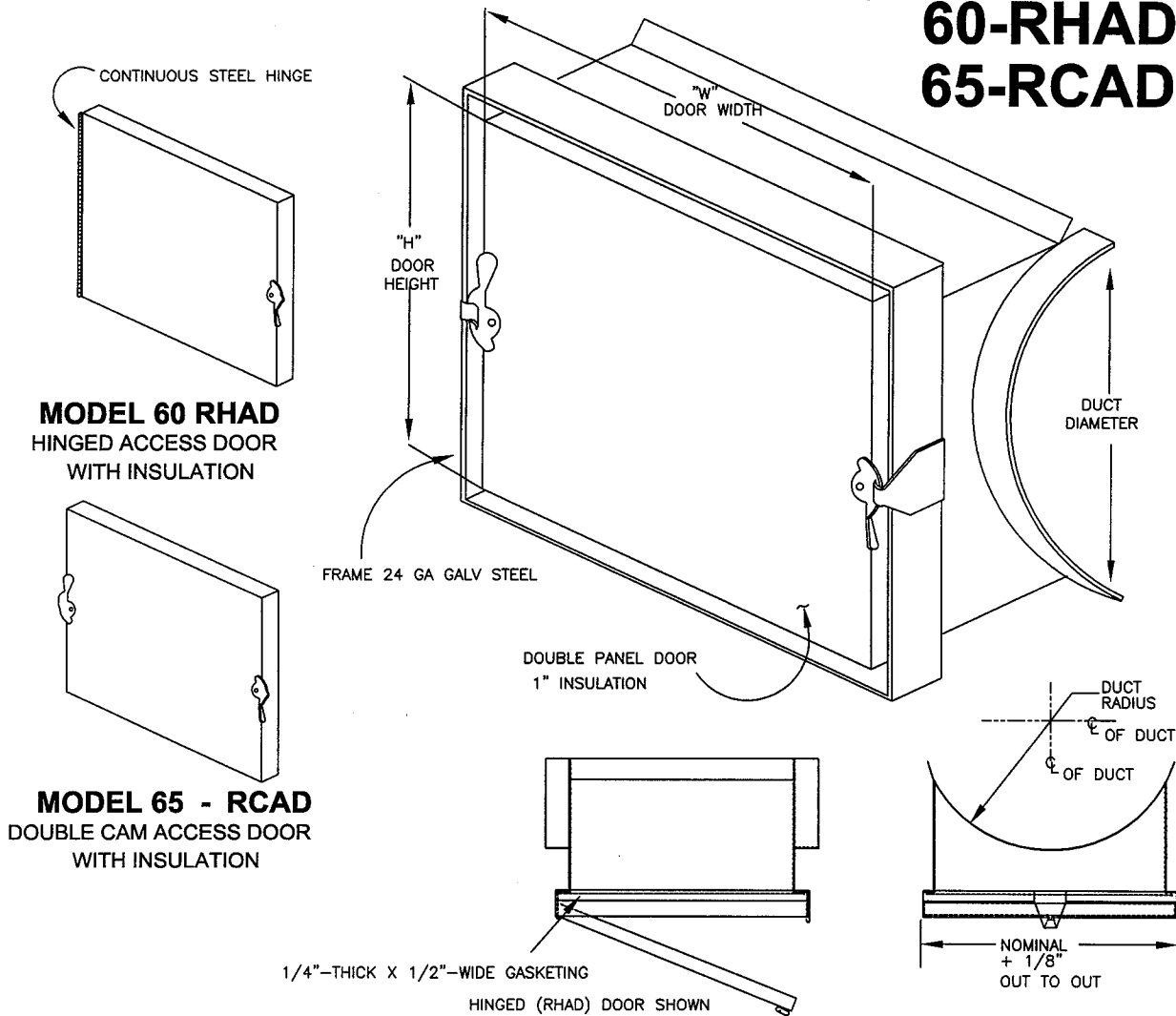


ACCESS DOORS

ROUND DUCT ACCESS DOORS 1" THICK HINGED AND 1" THICK DOUBLE CAM LOCK

type
60-RHAD
65-RCAD



MODEL 60 RHAD
HINGED ACCESS DOOR
WITH INSULATION

MODEL 65 - RCAD
DOUBLE CAM ACCESS DOOR
WITH INSULATION

NOTES:

1. HINGED DOORS OVER 14" X 14" HAVE (3) CAM LATCHES. DOUBLE CAM DOORS OVER 14" X 14" HAVE (4) CAM LATCHES (ONE ON EACH OF (4) SIDES OF DOOR).
2. ALL MODELS INCLUDE 1/4"-THICK X 1/2"-WIDE DOOR - TO - FRAME GASKETING.
3. DOOR HEIGHTS ARE EQUAL TO, OR LESS THAN DUCT DIAMETER.

JOB NAME: _____

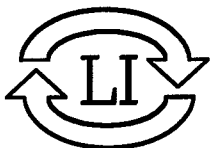
LOCATION: _____

ARCHITECT: _____

ENGINEER: _____

CONTRACTOR: _____

CLLOYD-19-REV-C-1



LLOYD INDUSTRIES INC.

231 COMMERCE DRIVE
MONTGOMERYVILLE, PA. 18936
TEL: 215-412-4445
FAX: 215-412-4409
EMAIL: LLOYDIND@FIREDAMPER.COM

5858 BROADWAY AVE.
JACKSONVILLE, FL. 32254
TEL: 904-378-8440
FAX: 904-378-8441
EMAIL: LLOYDINDI@BELLSOUTH.NET

WEB SITE: FIREDAMPER.COM