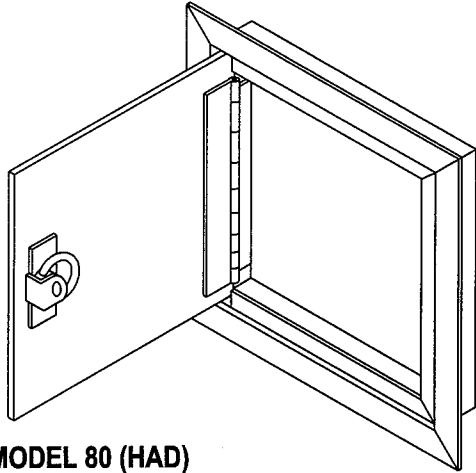


# ACCESS DOORS

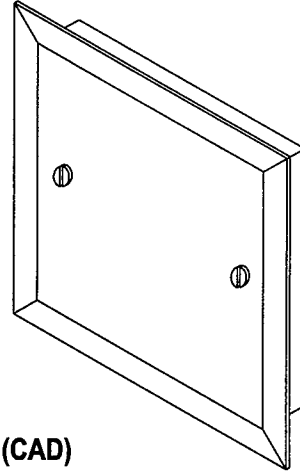
## ACCESS DOORS

FLUSH MOUNT, CORROSION  
RESISTANT EXTRUDED AND WELDED  
ALUMINUM CONSTRUCTION.  
HINGED AND NO-HINGE LOCKING  
ACCESS DOORS

**type**  
**80-HAD**  
**85-CAD**



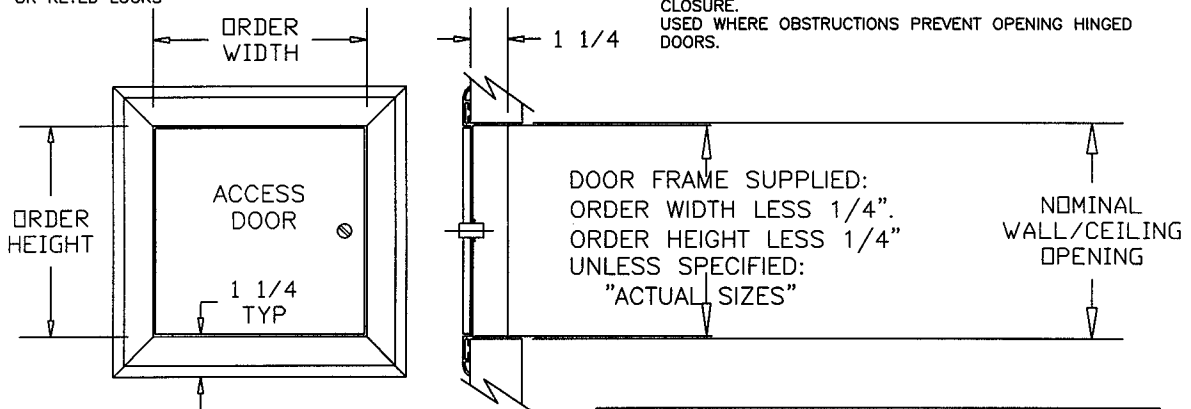
**MODEL 80 (HAD)**



**MODEL 85 (CAD)**

HINGED, FLUSH DOOR AND FLUSH MOUNT ACCESS DOOR WITH SLOTTED  
OR KEYED LOCKS

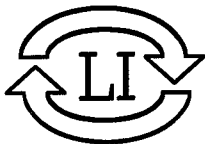
HINGELESS, FLUSH DOOR AND FLUSH MOUNT ACCESS DOOR  
WITH MULTIPLE SLOTTED OR KEYED LOCKS FOR DOOR  
CLOSURE.  
USED WHERE OBSTRUCTIONS PREVENT OPENING HINGED  
DOORS.



DOOR LOCK QUANTITIES WILL BE PROVIDED  
AS PER THE PRICE SCHEDULE  
SPECIFICATION.  
FOR SPECIAL LOCK QUANTITIES PLEASE  
SPECIFY WHEN ORDERING.  
ALSO SPECIFY EITHER SLOTTED OR KEYED  
LOCKS.  
THE STANDARD ASSEMBLY FINISH IS  
MILL FINISHED ALUMINUM.  
ANODIZED FINISHES ARE AVAILABLE ON  
REQUEST

JOB NAME: \_\_\_\_\_  
LOCATION: \_\_\_\_\_  
ARCHITECT: \_\_\_\_\_  
ENGINEER: \_\_\_\_\_  
CONTRACTOR: \_\_\_\_\_

10125-REV-C



# LLLOYD INDUSTRIES INC.

231 Commerce Drive  
Montgomeryville, Pa. 18936  
Tel: 215-412-4445  
fax: 215-412-4409  
Email: lloydind@firedamper.com

5858 Broadway Ave.  
Jacksonville, Fl. 32254  
Tel: 904-378-8440  
fax: 904-378-8441  
Email: lloydind1@bellsouth.net

Web Site: [firedamper.com](http://firedamper.com)