



SMOKE DAMPERS



MODELS:
SD-333-3-PB Leakage
(UL-555S Leakage Class 3 Classified)

APPLICATION

The SD-333-3-PB is a Lloyd's Smoke dampers, which is designed to resist the opening of air and smoke in HVAC systems which shut down in the event of a fire. The movement of smoke through the building is controlled by Smoke damper.

OPERATIONAL RATING

Velocity: up to 2400 fpm
Pressure: up to 4 in. wg
INSTALLATIONS: Vertical and Horizontal
OPERATION: Parallel Blade

STANDARD CONSTRUCTION

POWER OPEN/SPRING CLOSURE

- FRAME:** 16 GAUGE GALVANIZED STEEL INTERLOCKING STACKED HAT SECTION CHANNEL FRAME CONSTRUCTION
- BLADES:** 16 GAUGE GALVANIZED 3"V" FORMED
- BEARINGS:** SINTERED BRONZE, OIL IMPREGNATED
- AXLES:** 1/2 SQUARE ZINC PLATED STEEL STUDS
- LINKAGE:** .12 X .50 ZINC PLATED STEEL CONCEALED IN THE CHANNEL FRAME
- FINISH:** MILL GALVANIZED
- BLADE SEALS:** 60-65 DUROMETER SILICONE RUBBER WITH LAMINATED ACRYLIC ADHESIVE PERMANENTLY BONDED TO BLADE EDGES.
- JAMB SEALS:** CORROSION RESISTENT STAINLESS STEEL
- JACKSHAFT:** 1/2" DIAMETER ZINC PLATED STEEL WITH JACKSHAFT CONNECTOR COUPLING
- CAULKING:** UL APPROVED SILICONE SEALANTS: DOW CORNING RTV-732, 999A, GE-1200

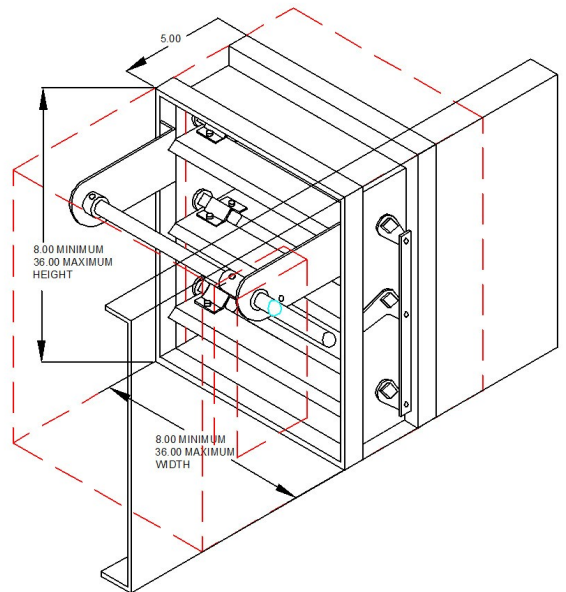
OPTIONAL MATERIAL:

Stainless steel construction

ACTUATOR:

- Specify type: Electric or Pneumatic
- Specify brand: SIEMENS, HONEYWELL, BELIMO
- Specify mounting: External or internal
- Specify voltage: 24V, 120V, 220V

	Class 1	Class 2 & 3
Single Section		
Minimum	12"x8"	8"x8"
Maximum	36"x36"	36"x36"
Multi-Section		
Maximum	144"x72"	144"x72"



SLEEVE OPTIONS

- Round transition (Type CR)
- Oval transition (Type CO)
- Rectangular transition (Type C)

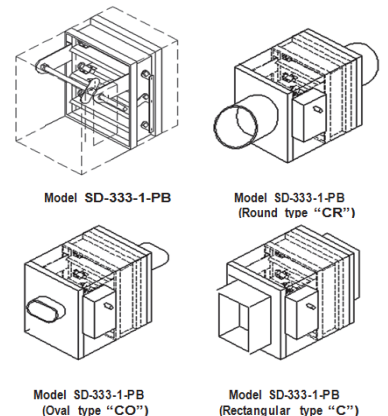
PRODUCT LABELS OF CERTIFICATION



CONFORMING TO UL-555S

PERFORMANCE TESTING BY: AMCA INTERNATIONAL IN ACCORDANCE TO AMCA STD 500

ACCEPTED FOR USE CITY OF NEW YORK DEPARTMENT OF BUILDING MEA 215-99-E



231 Commerce Dr. Montgomeryville, PA 18936
Tel: 215-412-4445 Fax: 215-412-4409
Email: lloydind@firedamper.com

138 Industrial Loop West, Orange Park, FL 32073
Tel: 904-541-1655 Fax: 904-541-1657
Email: lloydind1@bellsouth.net

B1, 4/F., Luen Ming Hing Factory Building
36 Mok Cheong St.,
To Kwa Wan, Kowloon, H. K.
Tel: 852-2760-4188 Fax: 852-2760-4177
Email: tatanlexyim@lloydasia.com

