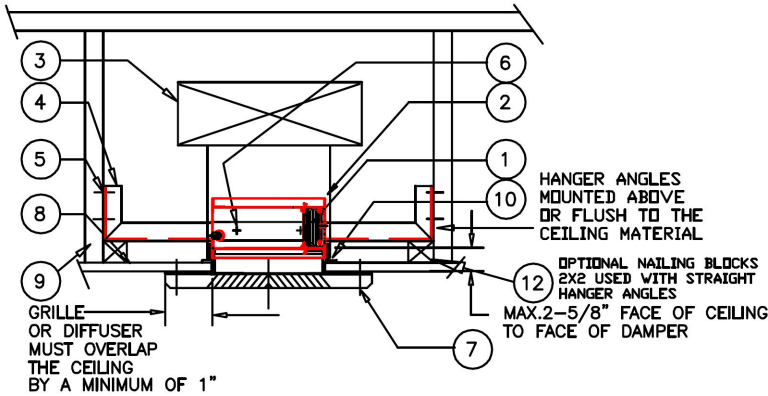




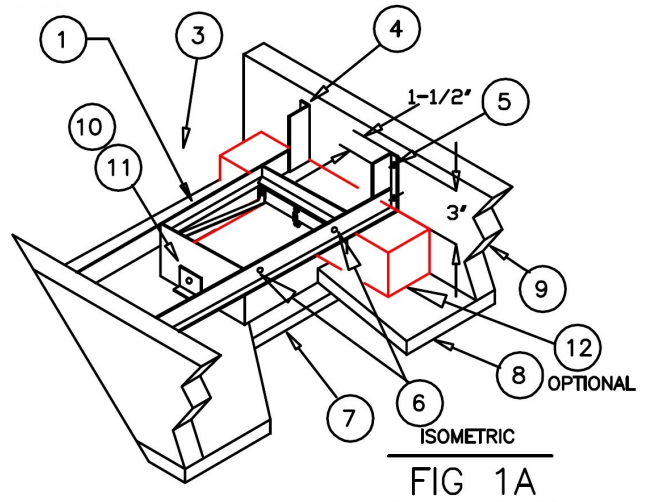
DROP CEILING INSTALLATION INSTRUCTION

General Installation Instructions
Model 45-LT



These ceiling dampers are Classified by Underwriters Laboratories, Inc. as to heat barriers in the Fire Resistance Directory under the category of Ceiling Dampers (CABS). Refer to the Classification information in the back of the Fire Resistance Directory regarding the use of these dampers in the various floor-ceiling or Roof-ceiling assemblies. Ceiling dampers and the associated components (surface mounted diffusers or grilles, ducts, etc.) which are to be constructed of steel, are installed in the ceiling to maintain the hourly ratings of the floor-ceiling or roof-ceiling assemblies which are rated 3 hours or less.

ITEM	DESCRIPTION
1.	Ceiling Radiation damper
2.	Steel Duct Drop (Less #3 Plenum Permitted)
3.	Branch Plenum, or Plenum Boot
4.	Hanger Angles (2) 1-1/2x1-1/2x16 gauge
5.	#6 Common Nails or #8 x1-1/4 Screws
6.	Mounting Fasteners (Bolts, Screws, Rivets)
7.	Steel Grille, Diffuser, or Drop Ducting
8.	Ceiling: Gypsum Wallboard Acoustical Tile or Acoustical Panel (Lay-In)
9.	Joists, Trusses, Beams
10.	Stabilizing Angles (2) 1/2x1-1/2x16ga.x3"
11.	Mounting Fasteners (Bolts, Screws, Rivets)
12.	Optional Nailing Blocks 2x2 used with Straight Hanger Angles



*ALL STATED SPECIFICATIONS ARE SUBJECT TO UPDATE WITHOUT NOTICE OR OBLIGATION.