

CEILING RADIATION DAMPER

MODEL:
55 EA (Round)

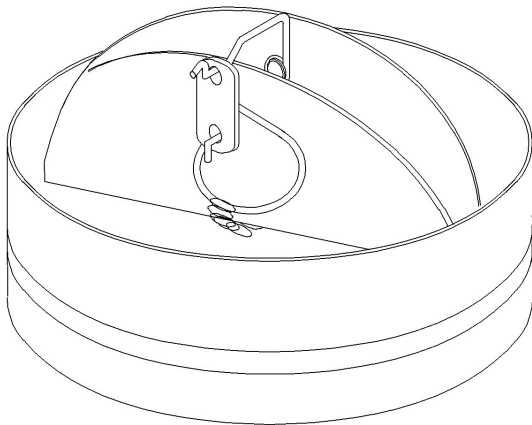


Standard Construction

1. UL listed link (165°F Standard)
2. Blades 22 (0.853mm) Ga. Galv. Steel
3. Ceramic fiber with fiberglass cover*
4. Roll-formed frame 22 (0.853mm) ga. Galv. Steel
5. Steel duct drop (by others).

Note:

1. Maximum size 24" Dia. (600mm)
Minimum size 5" Dia. (127mm)
2. Available in stainless steel
3. "Ceramic insulation is not UL required on dampers with areas less than 80 square inches and is optional. Dampers above 80 square inches will be provided with blade insulation.



APPLICATION

The CRD-55EA has been UL tested and labeled for protection of ceiling openings in fire rated floor/ceiling assemblies with fire resistance ratings of 3 hours or less. This product can also be applied to steel lay-in style ceiling diffusers up to 24" Dia. (610mm) maximum size.

RATING:

UL CLASSIFIED: UL 555C Fire Resistance Rating
Fire resistance rated 3 Hours
Building materials rated 3 Hours or less

Model CRD 55EA meets the requirements for fire dampers established by:

**CSFM California State Fire Marshal
Fire Damper Listing (#3225-1417:101)**

